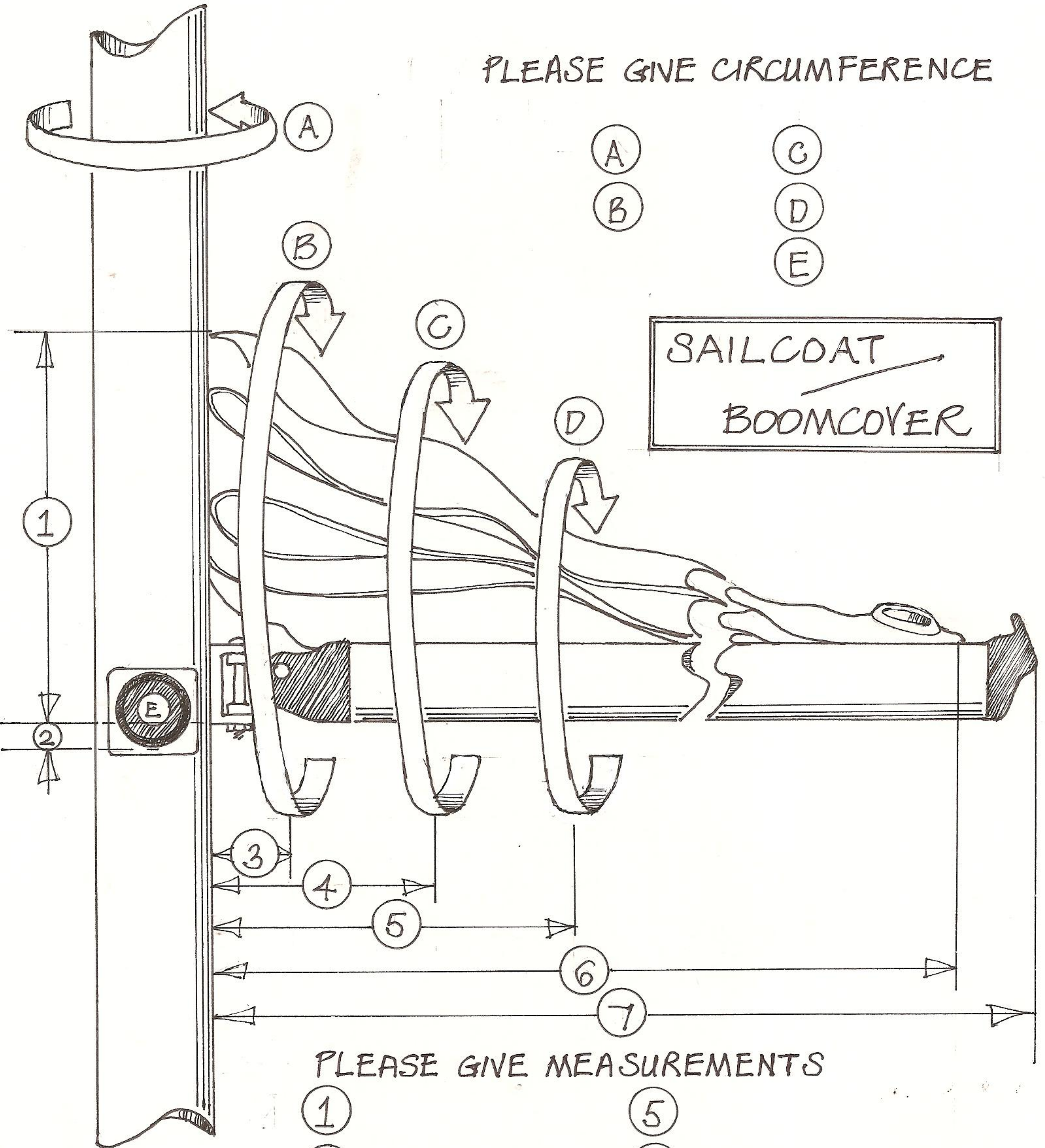


CRUSADER SAILS DATA SHEET

THE SAIL LOFT, N°1 at 56, HATCH POND ROAD, POOLE, DORSET, BH17 0JZ
 ☎ 01202 670580 fax 675578 *info@crusadersails.com *www.crusadersails.com

DATE:

PLEASE GIVE CIRCUMFERENCE



- | | |
|-----|-----|
| (A) | (C) |
| (B) | (D) |
| | (E) |

SAILCOAT
 ↗
 BOOMCOVER

PLEASE GIVE MEASUREMENTS

- | | |
|-----|-----|
| (1) | (5) |
| (2) | (6) |
| (3) | (7) |
| (4) | |